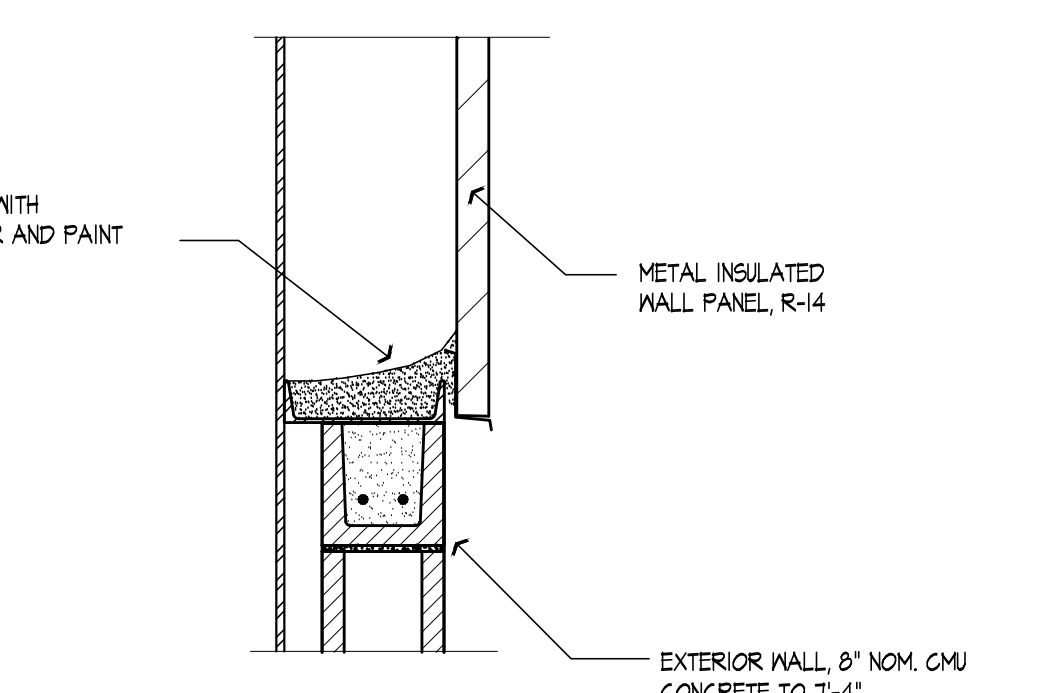
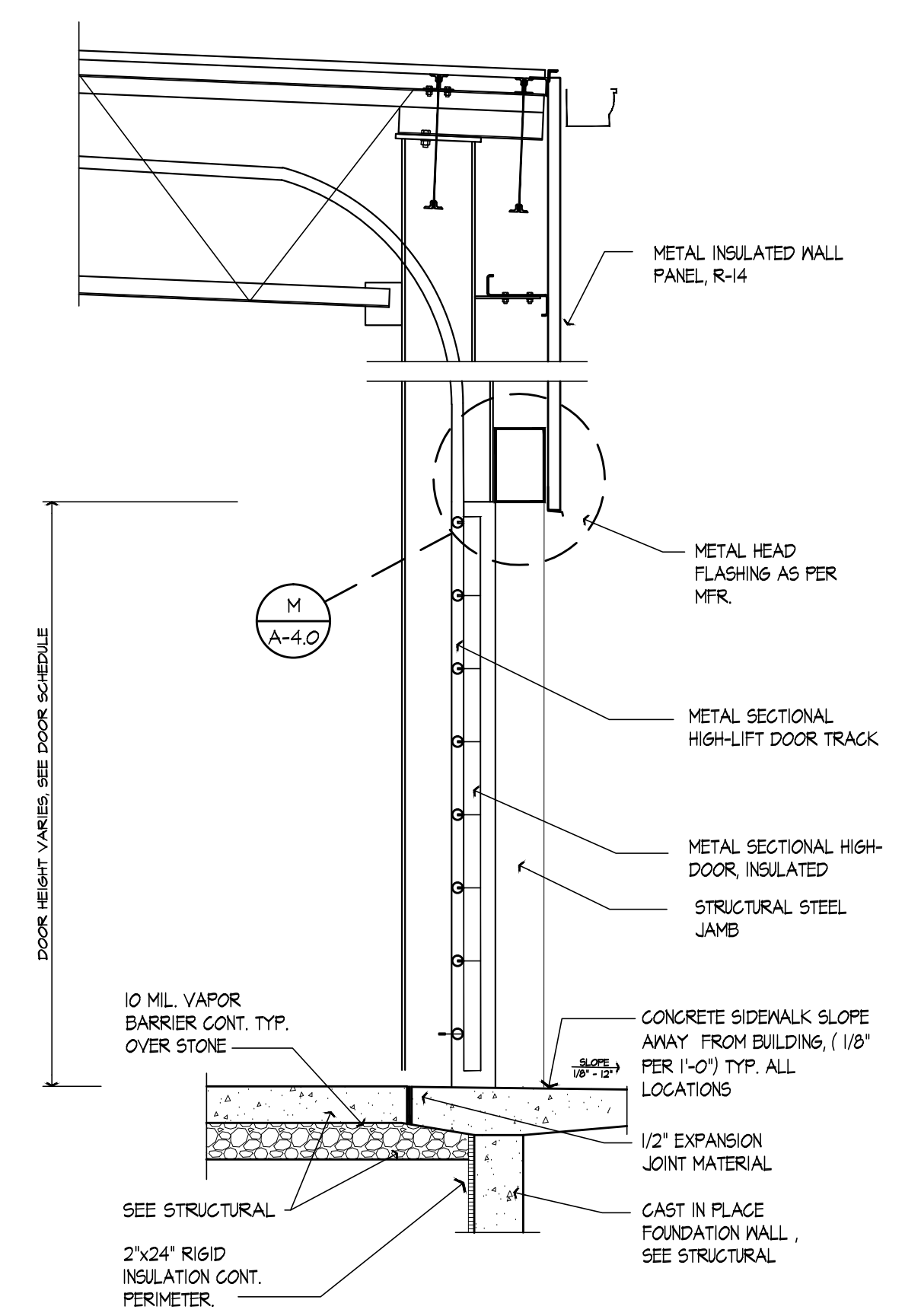


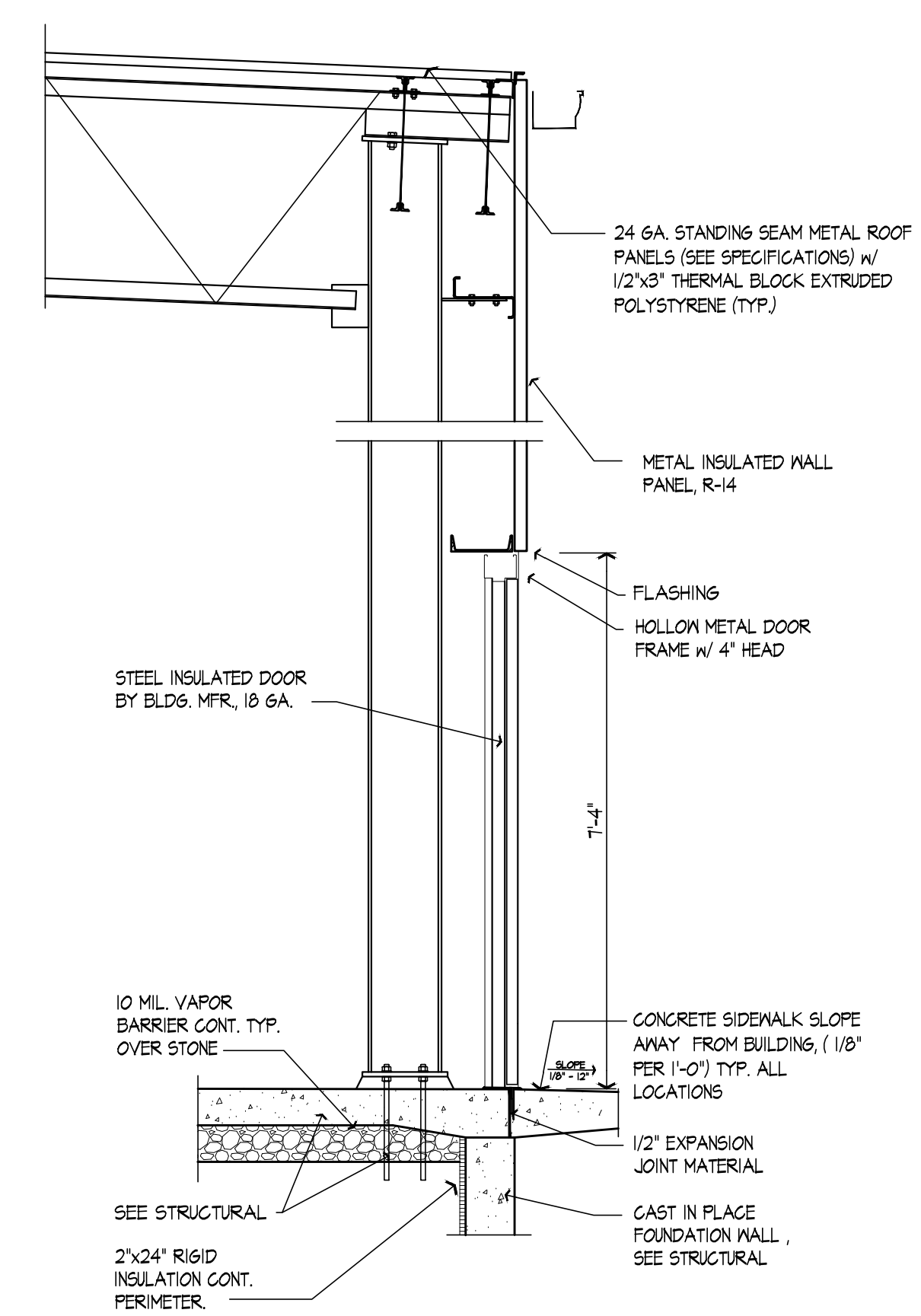
EXTERIOR WALL DETAIL @ PLANT (H) A-3.1
SCALE: 1/2" = 1' - 0"



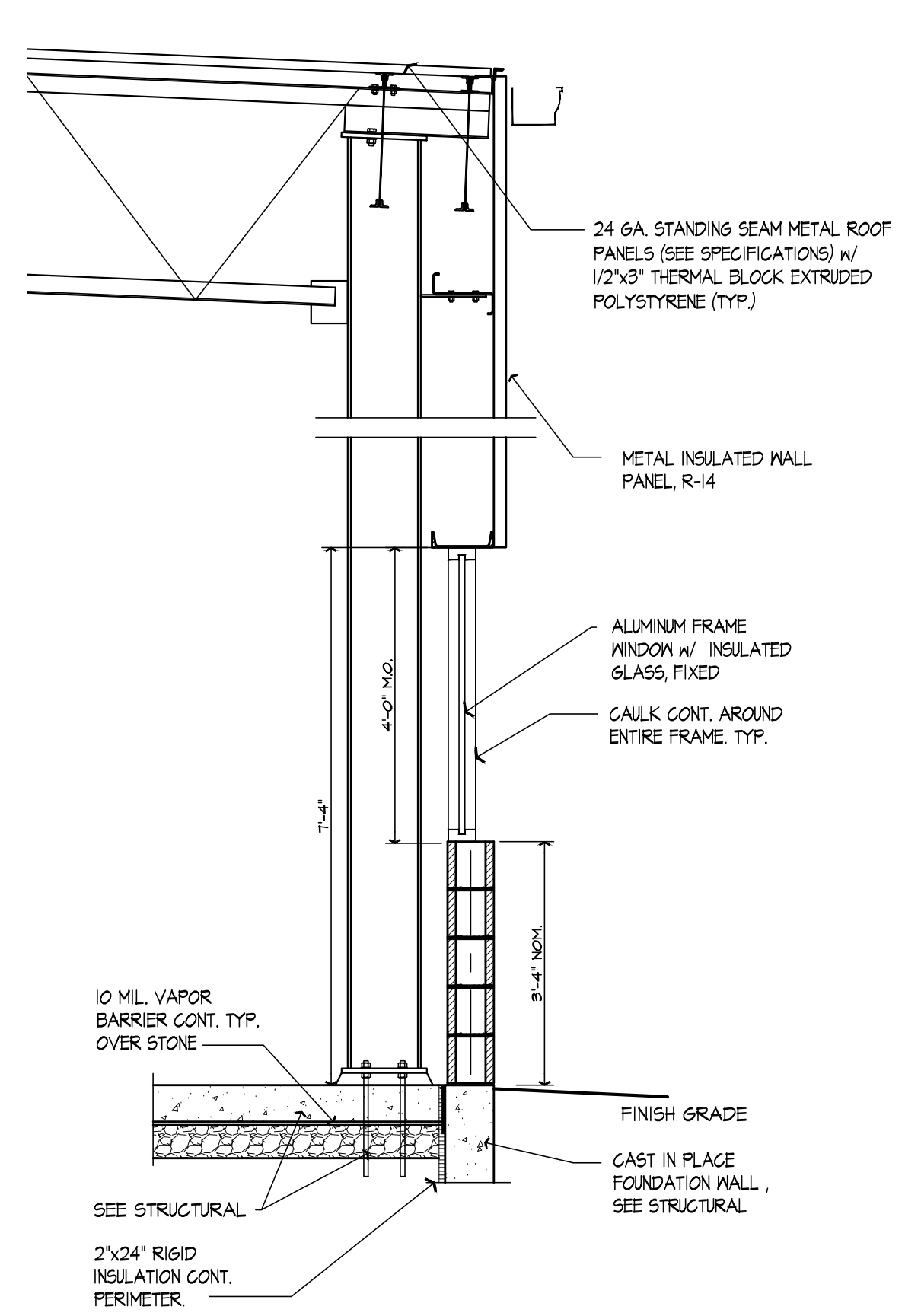
WALL DETAIL AT P-108, P-143, AND P-125 (J) A-3.1
SCALE: 1/2" = 1' - 0"



EXT. 18' WALL SEC. @ SECTIONAL DR. (K) A-3.1
SCALE: 1/2" = 1' - 0"



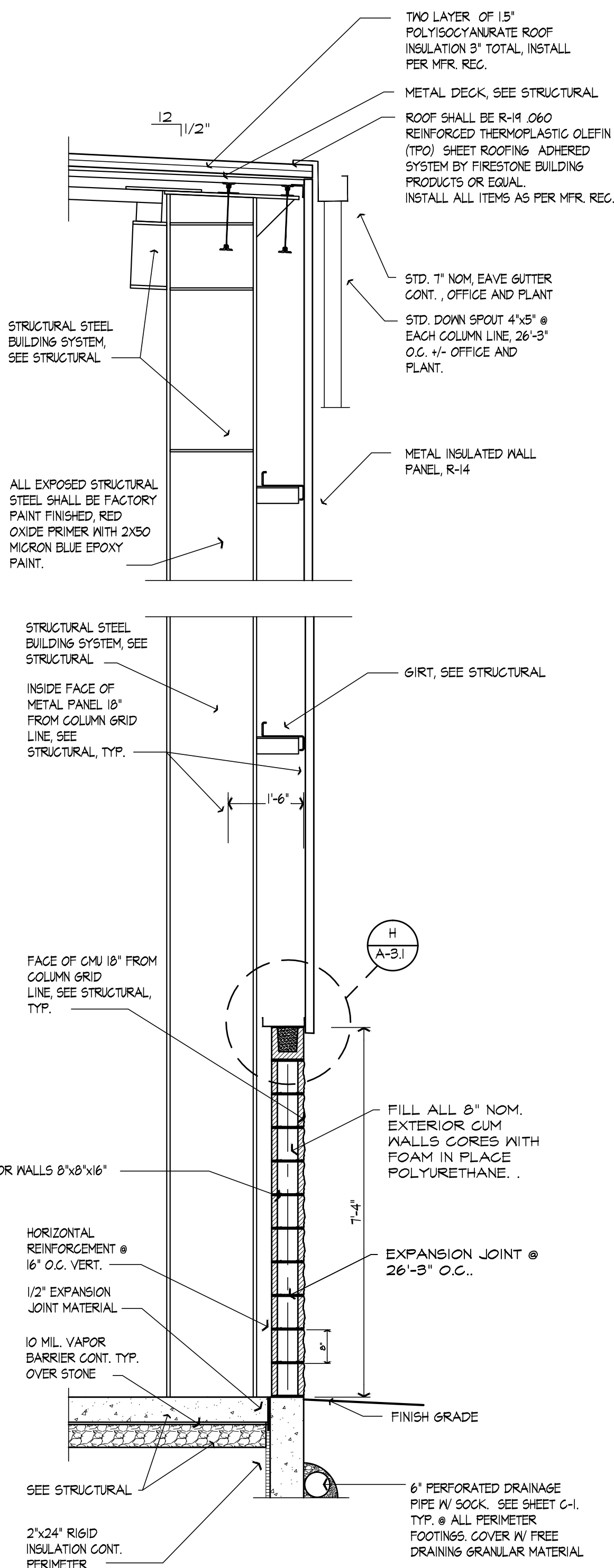
EXT. 18' WALL SEC. @ DR. (L) A-3.1
SCALE: 1/2" = 1' - 0"



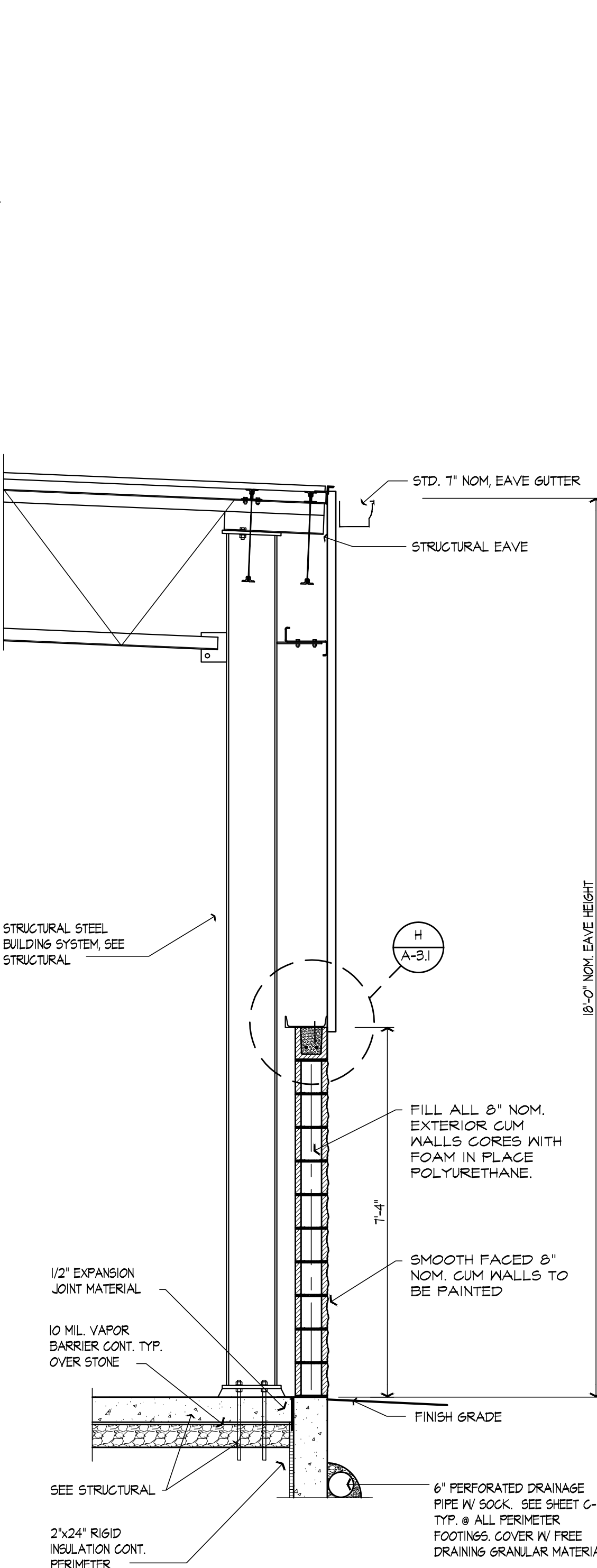
EXT. 18' WALL SEC. @ WINDOW (M) A-3.1
SCALE: 1/2" = 1' - 0"

CONTROL ROOM SIM. W/ STEEL AND STEEL AND CONCRETE DECK
SEE STRUCTURAL

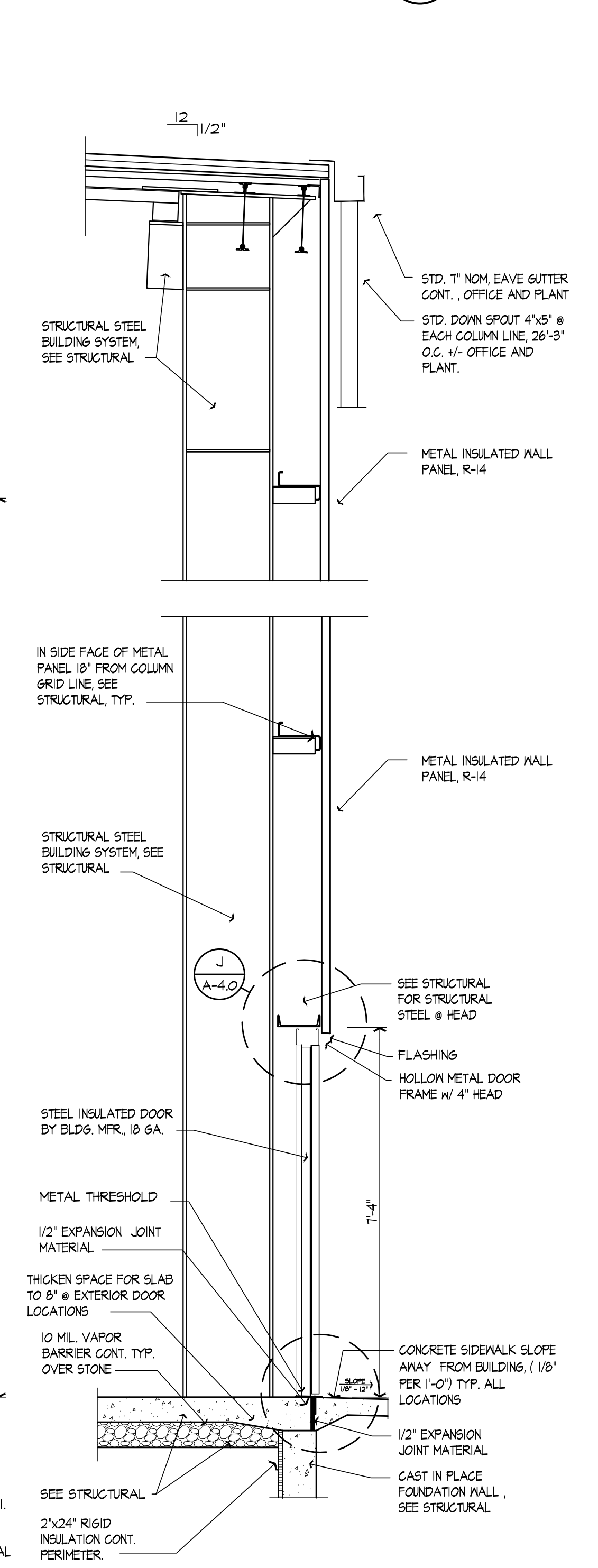
SPRINKLER ROOM P-144 OFFICE P-111 (G) A-3.1
SCALE: 1/2" = 1' - 0"



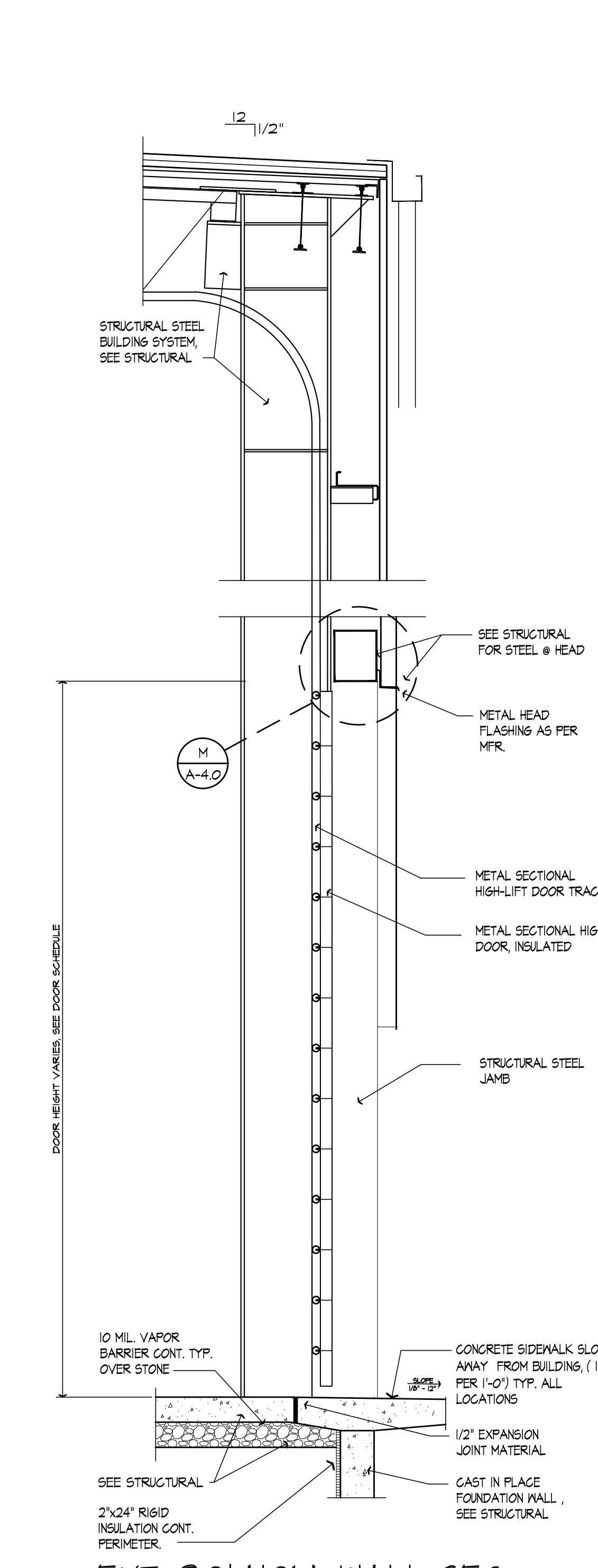
EXTERIOR WALL SECTION (A) A-3.1
SCALE: 1/2" = 1' - 0"



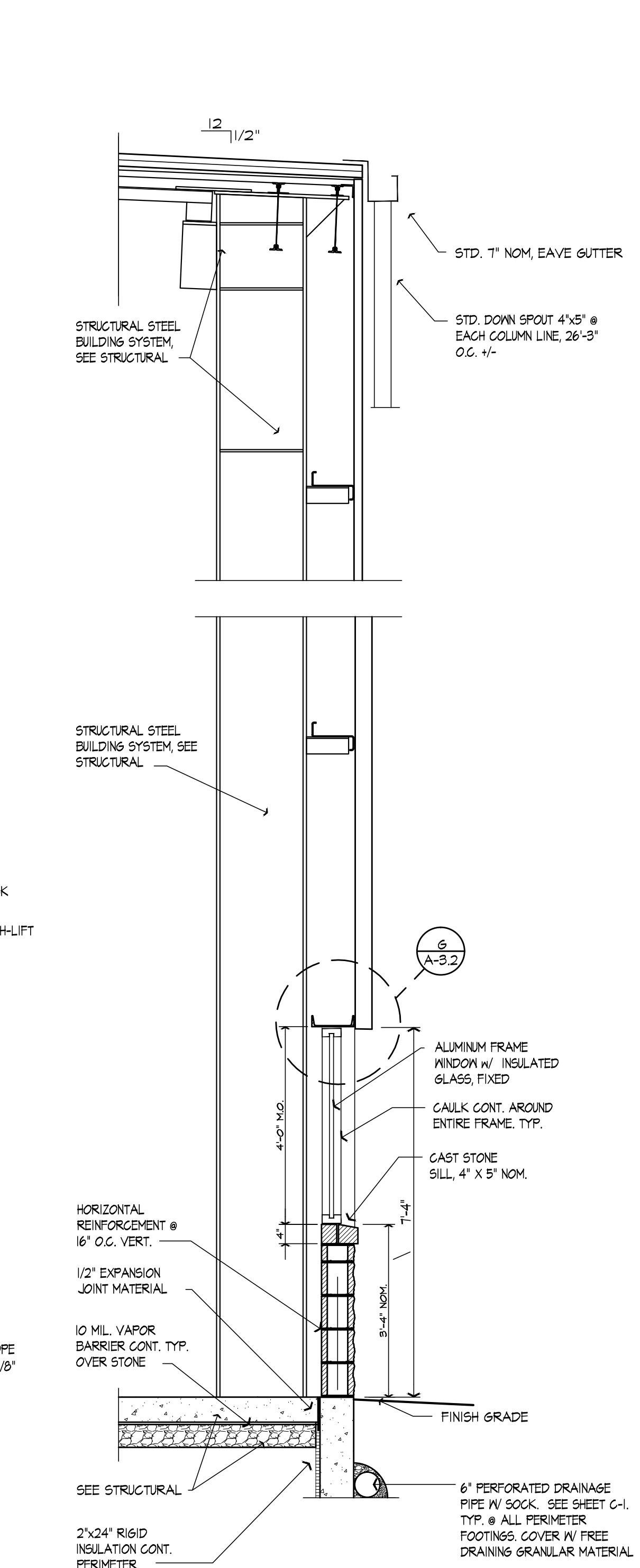
EXTERIOR WALL SECTION (B) A-3.1
SCALE: 1/2" = 1' - 0"



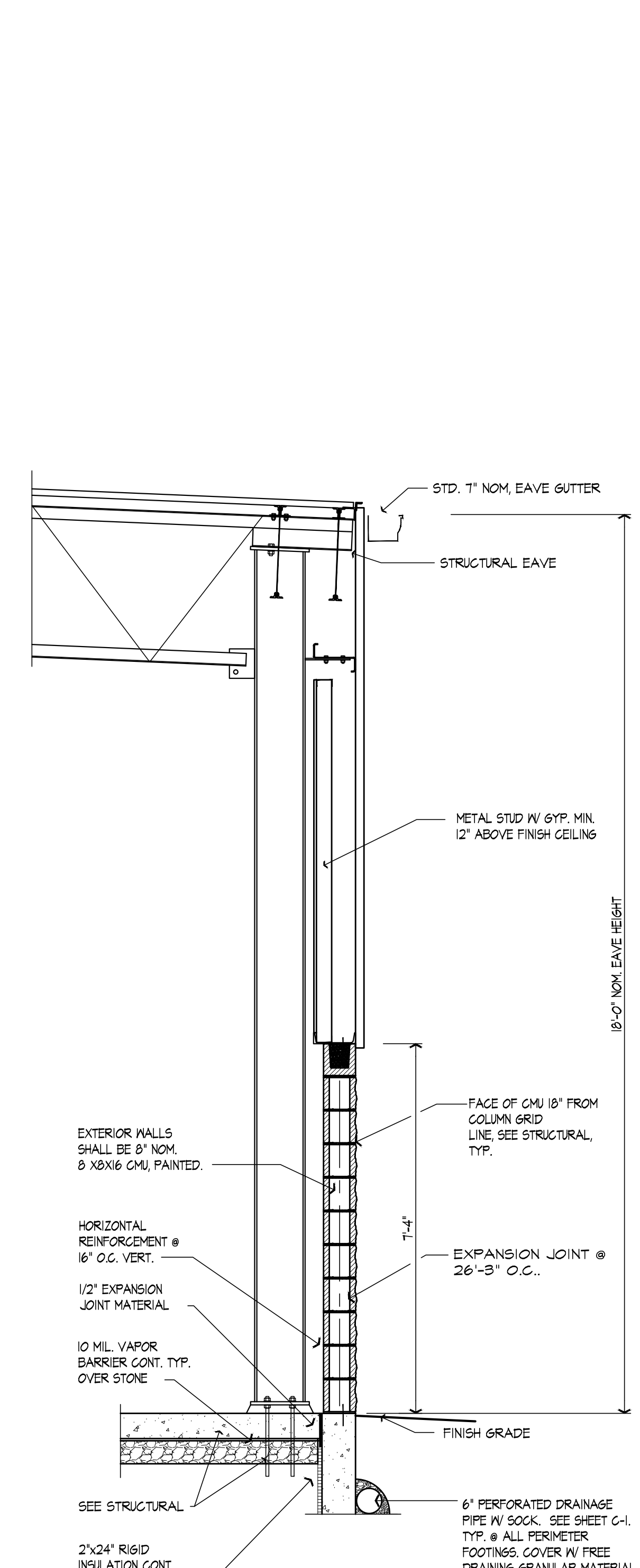
EXTERIOR SECTION @ DOOR (C) A-3.1
SCALE: 1/2" = 1' - 0"



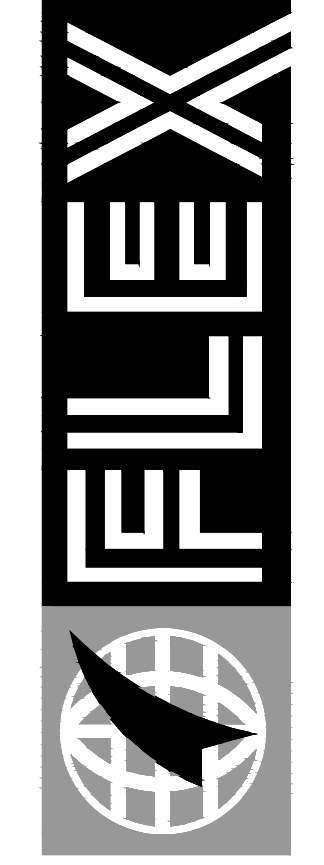
EXT. 30' NOM. WALL SEC. @ SECTIONAL DR. (D) A-3.1
SCALE: 1/2" = 1' - 0"



EXTERIOR WALL SECTION (E) A-3.1
SCALE: 1/2" = 1' - 0"



EXTERIOR WALL SECTION (F) A-3.1
SCALE: 1/2" = 1' - 0"



FLEX FILMS (USA) INC.
1221 NORTH BLACK BRANCH ROAD
ELIZABETHTOWN, KENTUCKY 42702
PROJECT L-12 BOPET U.S.A.

DATE	REVISION
10-21-11	REVISION NUMBER ONE
11-9-11	REVISION NUMBER TWO, LEAN-TO 18' EAVE
12-28-11	REVISION NUMBER THREE, CMU WALLS

DESIGNED BY MSF
DRAWN BY MSF
CHECKED BY MSF
REVIEWED BY BT
DATE: OCT. 2011
SCALE: AS NOTED

Engineers
Architects
Planners
MSF
OF KENTUCKY, INC.
624 Washington Ave
Lexington, KY 40503
Phone: (606) 253-5424
Fax: (606) 253-2607
www.msflex.com

DRAWING NO.
**UFL-L12
A-3.1**

WALL SECTIONS AND DETAILS